



Connect-4



Simple and reliable connection for
Fan-coils and terminal units

Herz standard Connect-4 has been designed to give a simple connection to fan-coils, or other terminal units, and utilises the Herz 4017 integral orifice commissioning valve with Herz 2190 extended lever ball valves and a Herz 4111 strainer.

The unit allows regulating, flushing and isolating operations to be undertaken. The Connect-4 is fitted with extended handles and test points to allow for lagging after installation. This means there is no product differentiation between heating and chilled, one unit does both applications.

Flow measurement can be achieved to a minimum accuracy of $\pm 5\%$

The drain cock fitted to the strainer allows flushing without the need to remove the strainer basket and also allows the strainer basket to be cleaned in-situ.

Four standard versions are available and are suitable for both heating and cooling, a 1" version is available on request.

Type	Valve Size	Kvs	Kv	Part No
Low Flow	1/2	0.48	0.43	4500-11
Medium Flow	1/2	0.97	0.75	4500-21
1/2"	1/2	1.95	1.39	4500-01
3/4"	3/4	3.95	2.19	4500-02

Kv is the value across the complete unit used only for pump sizing

Benefits to Designers

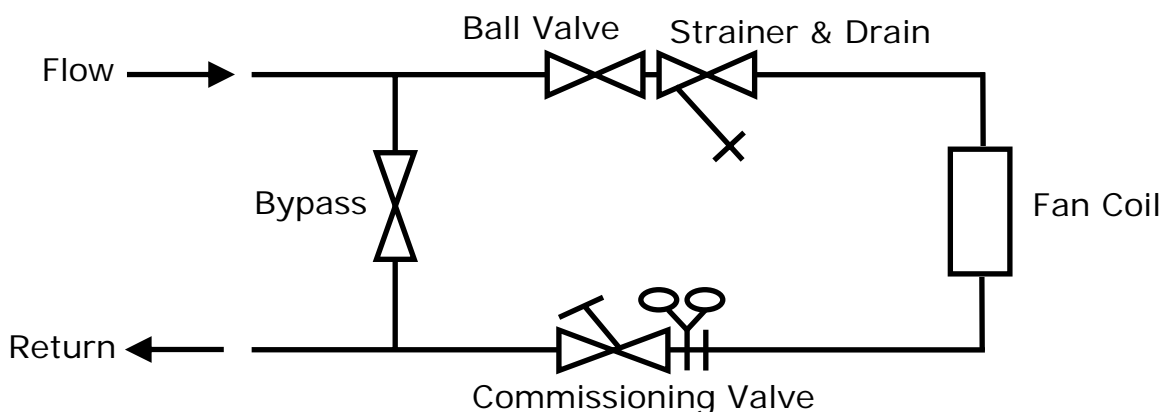
- ❖ Known envelope dimensions
- ❖ Minimal design involvement
- ❖ Reduced specification errors
- ❖ Known performance characteristics

Benefits to Contractors

- ❖ Reduction in on-site labour, time and cost
- ❖ Fast connection (only four connections are required)
- ❖ Reduces need for pre-fabrication area
- ❖ One unit does both heating and cooling makes it easier to order
- ❖ Reduction of purchase orders (line items)
- ❖ Reduced possibility of incorrect installation

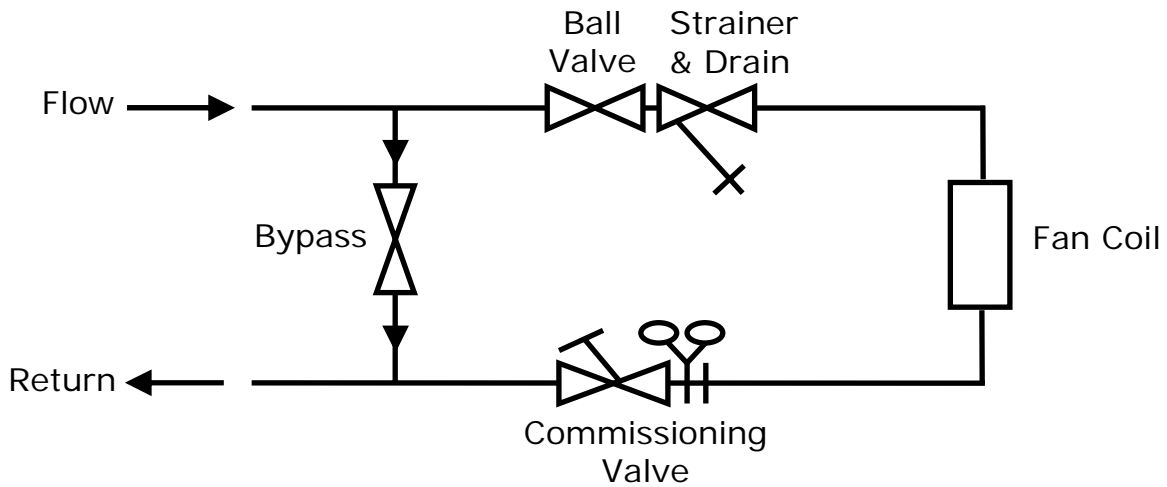
Normal Operation

For normal operation the Bypass valve is closed, Ball valve is open, Strainer Drain Valve is closed, Commissioning valve regulated.



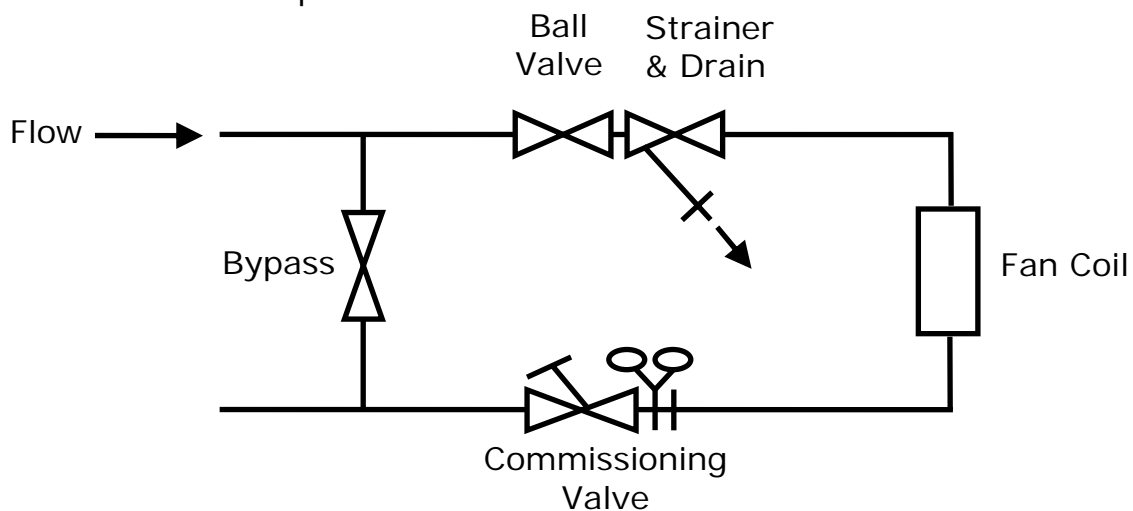
Bypass Operation

For the normal flushing method the Bypass Valve is open, Ball Valve is closed, Strainer Drain Valve closed, Commissioning Valve closed



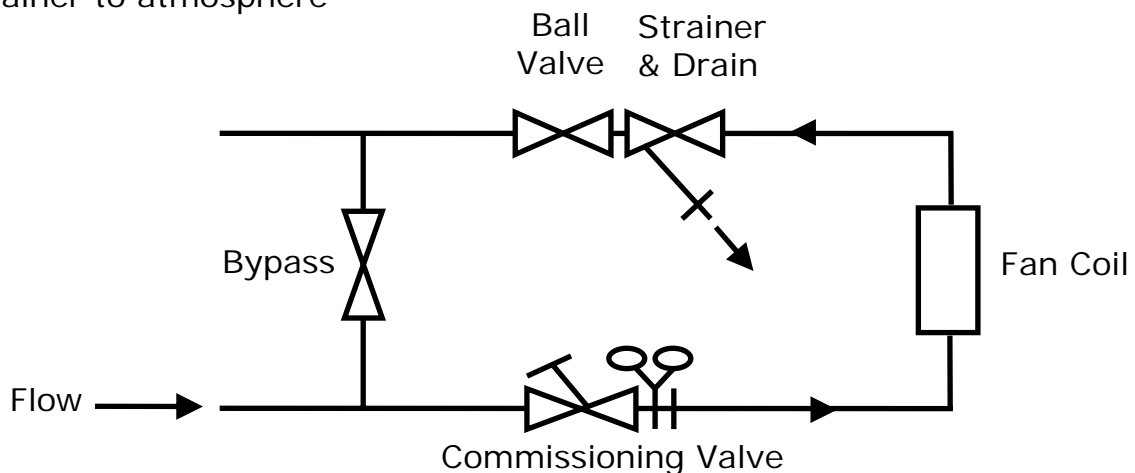
Forward flush Operation

For forward flushing operation the Bypass Valve is closed, Ball Valve is open, Strainer Drain Valve is open, Commissioning Valve is closed and flushing through the strainer to atmosphere

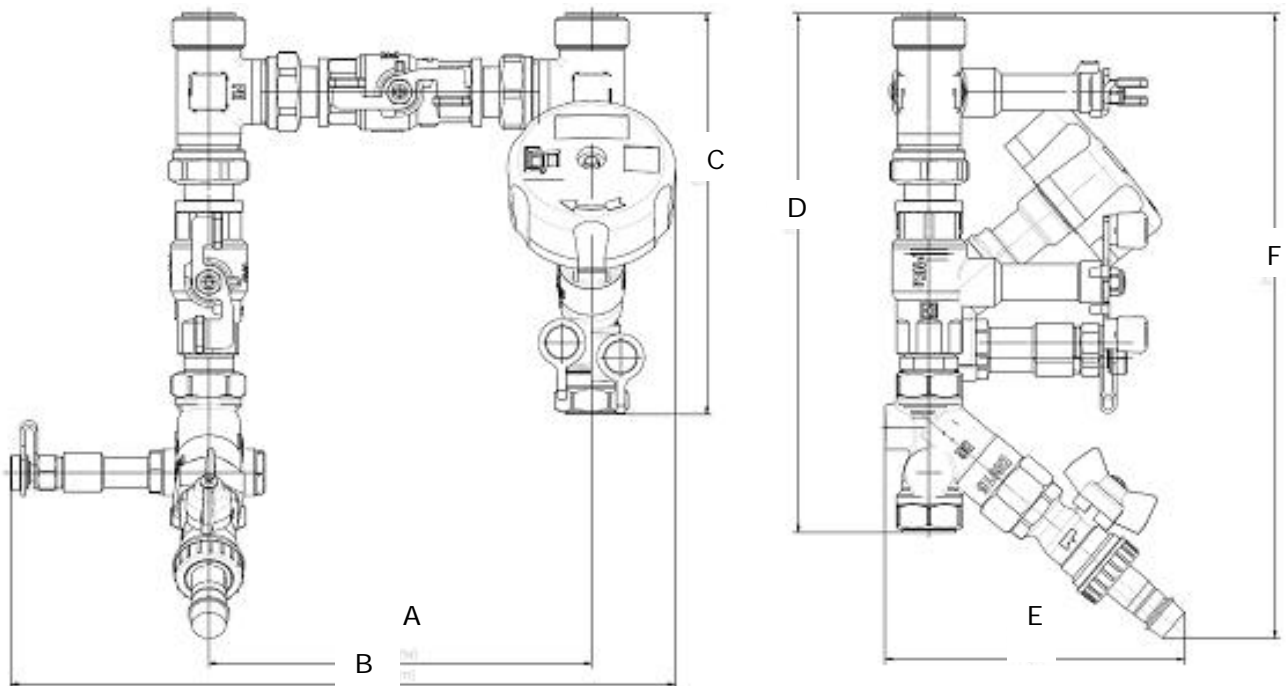


Backflush Operation

For Backflush operation the bypass Valve is closed, Ball Valve is closed, Strainer Drain Valve is open, Commissioning Valve open. Flushing through CS, FCU and strainer to atmosphere



Dimensions



Size	A	B	C	D	E	F
	mm	mm	mm	mm	mm	mm
DN15	158	275	166	215	124	259
DN20	166	283	175	232	126	281

Components

Valves	Fig No	Material	Rating
Commissioning valve	4017	DZR	PN16
Strainer	4111	DZR	PN16
Blow down Drain Valve	2512	DZR	PN16
Extended lever Ball Valve	2190	DZR	PN40

Pressure Rating: PN16
 Operating Temperatures: -10 to 120°C



Herz Valves UK Ltd

Progress House
 Moorfield Point, Moorfield Road
 Slyfield Industrial Estate
 Guildford Tel: 01483 502211
 Surrey, GU1 1RU. Fax: 01483 502025
 E-Mail, sales@herzvalves.com